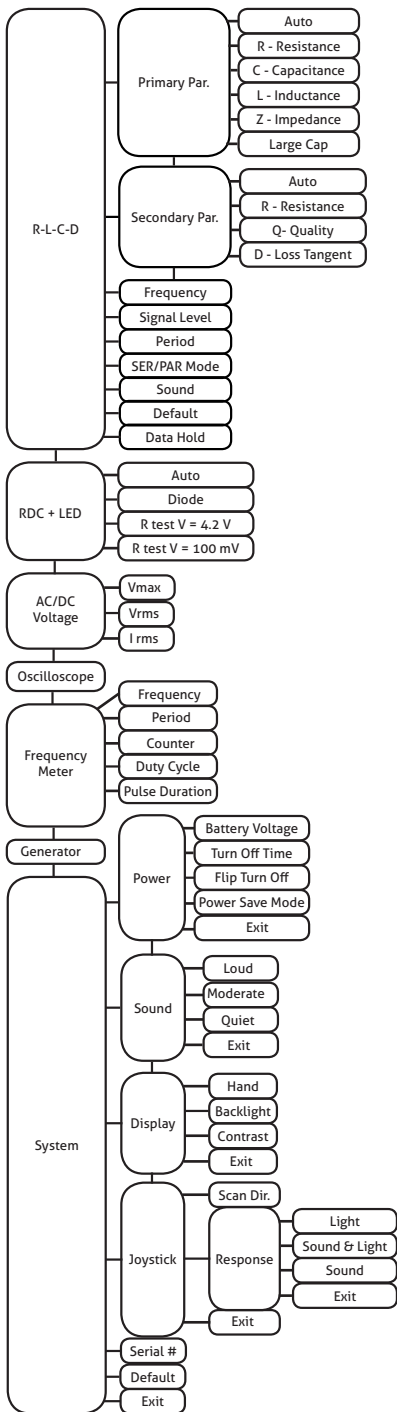
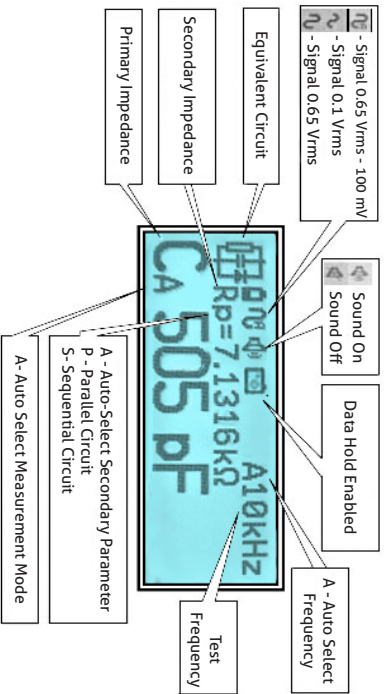


LCR-Reader-MP



DISCHARGE CAPACITORS BEFORE TESTING



Technical Specifications

AC test mode Test frequency:

Test Frequency Accuracy

Source impedance:

1 kHz, 10 kHz, 120 Hz, 100 Hz
0.65, 0.1, +/- 5% Vrms Sine Wave
±(0.005%+5) Hz 1kΩ +/- 1%

Measurement Ranges

Resistance R:

Capacitance C:

Inductance L:

Quality factor Q:

Dissipation factor D:

5 mΩ to 20 MΩ
1 pF to 680 mF
10 nH to 100 H
0.001 to 1000
0.001 to 1000

Physical Specifications

Size:

Weight:

Operating temperature:

Battery Type:

Battery Life (continuous):

180 x 30 x 16 mm (7.1 x 1.1 x 0.63 in.)
45 grams (1.5 oz.)
10°C to 40°C
3.7V LiPO rechargeable 250mAh
80 hours, 2 hours charging cycle



DISCHARGE CAPACITORS BEFORE TESTING