

LED Test Tweezers



SIBORG
SYSTEMS INC

Multifunction Test Tweezers

LED Test Tweezers

Multifunction Tester

LED testing
Switches
Circuitry
Fuses



LED Test Tweezers



SIBORG
SYSTEMS INC

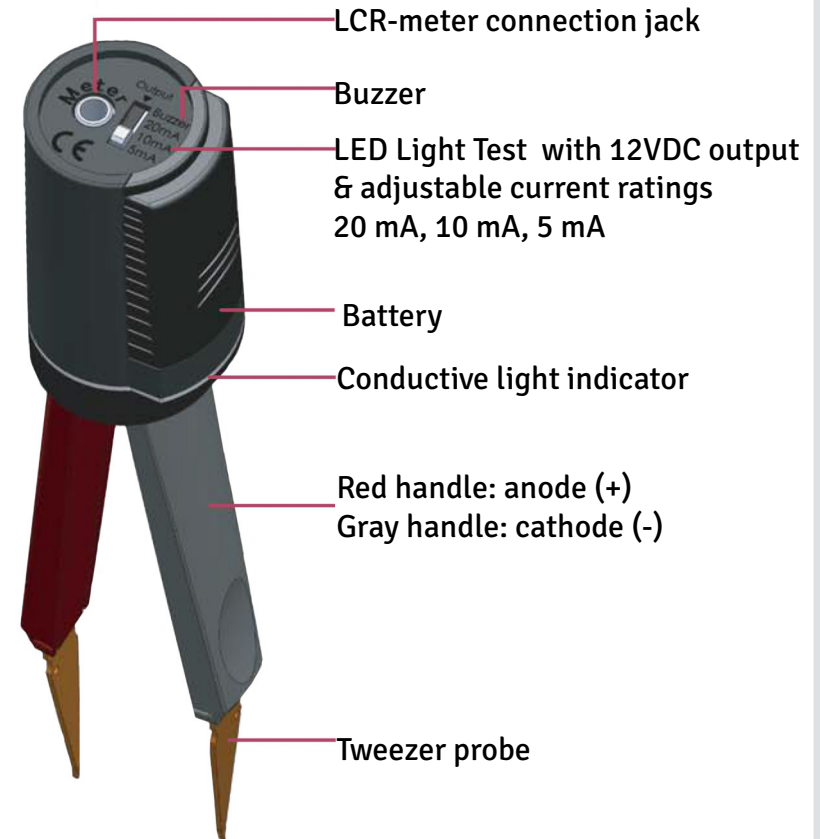
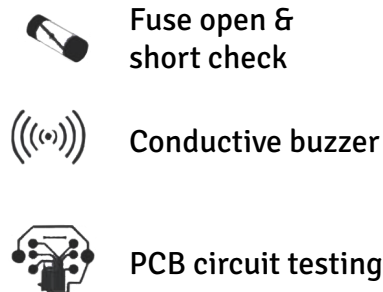
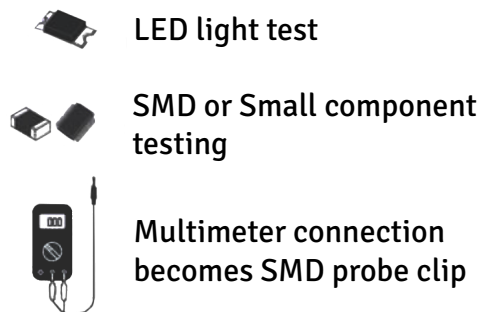
Multifunction Test Tweezers

Features

LED Test Tweezers are able to make quick work of testing and troubleshooting components, such as LEDs, switches, fuses, circuits, wire connections, etc.

Connecting LED Test Tweezers with an LCR-meter using the special connector cable, LED Tweezers acts as probes.

A buzzer can be set to sound when the device is in contact with a component.



Warning: Do Not Test Electrified Components

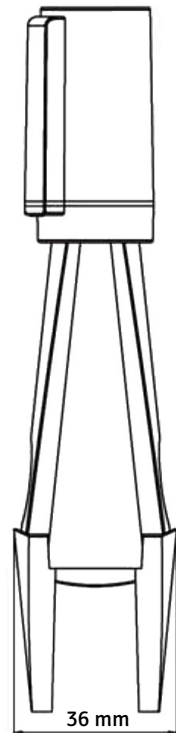
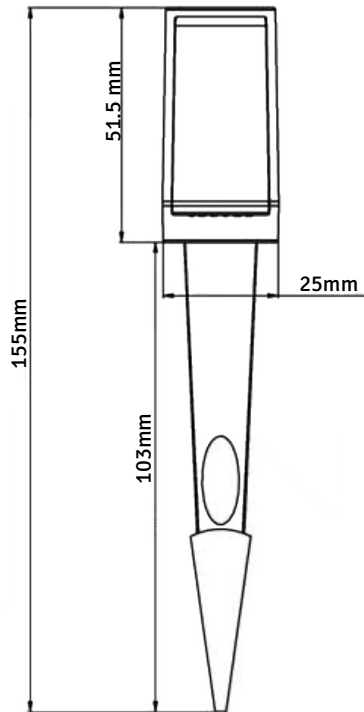
LED Test Tweezers



SIBORG
SYSTEMS INC

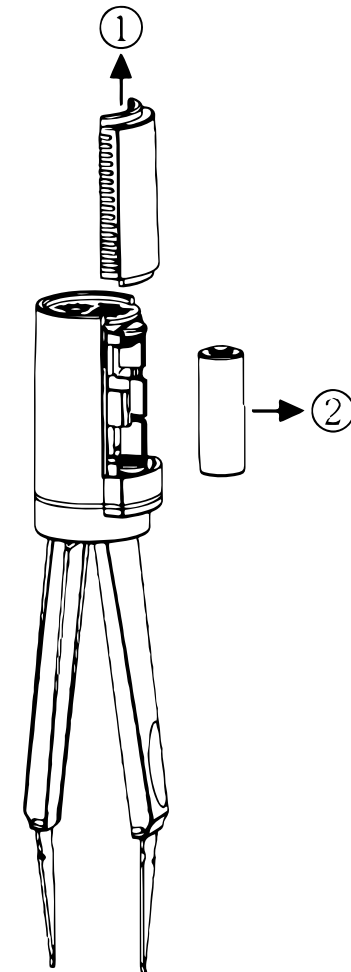
Multifunction Test Tweezers

Dimensions



Changing the Battery

1. Slide top cover off
2. Replace battery (23AE 12V)
3. Replace top cover



General Specifications

Model:	LED Tweezers
Weight:	50 g
Material:	ABS - Phosphor Bronze
Dimensions:	36x25x155mm
Battery:	23AE 12V