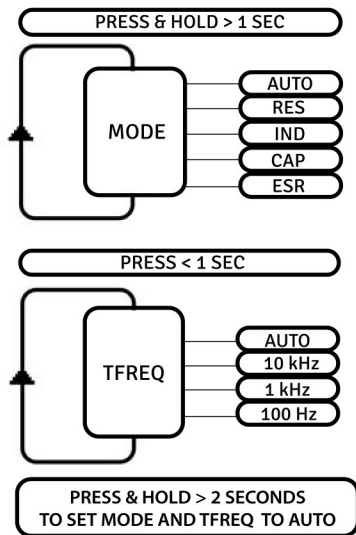
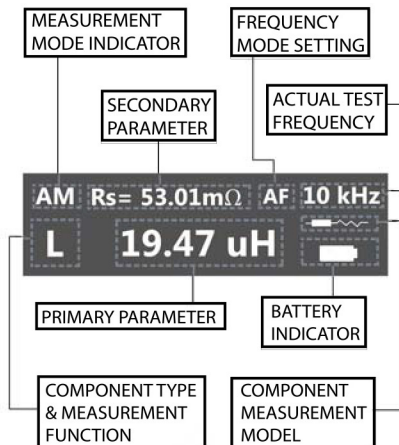


# Smart Tweezers Colibri

## MENU STRUCTURE



## DISPLAY LAYOUT



[www.LCR-Reader.com](http://www.LCR-Reader.com)

# Smart Tweezers Colibri

## SPECIFICATIONS

**Test Frequency:**

100Hz, 1kHz, 10kHz

**Test Signal Level**

0.45 Vrms, CW

**Basic Accuracy\*:**

**Resistors**

0.5% (1%  $R < 1\Omega$ ;

0.5%  $1\Omega < R < 5M\Omega$ ;

1%  $R > 5M\Omega$ )

**Inductance**

1% (5%  $L < 10\mu H$ ;

1%  $10\mu H < L < 500mH$ ;

5%  $L > 500mH$ )

**Capacitors\*\***

1% (5%  $C < 10pF$ ;

1%  $10pF < C < 5000\mu F$ ;

5%  $C > 5000\mu F$ )

**Charge Time:**

up to 3 hours,

DC 5V, 50mA

**Battery Life:**

up to 20 hours of

continuous use

**Physical Specifications:**

**Dimensions**

148x20x15 mm

**Weight**

29 grams

**Operating Temperature**

0-50 C

\*\* capacitors with  $C < 5pF$  can be measured only with manual settings.

\* optimal test frequency, offset subtracted from the result.

Typical offset for resistance - 0.035 Ohm, for capacitance - 0.3pF



DISCHARGE CAPACITOR BEFORE MEASUREMENTS

[www.LCR-Reader.com](http://www.LCR-Reader.com)